

AQUA Series

LINEAR DRAIN/STRAINER

MODEL: INCA

Description

AISI 304 stainless steel adjustable linear drain/strainer with matte finish and a thickness of 1 mm / 0.04", designed to replace the traditional grate and create visual continuity on the shower floor, obtaining a greater drainage capacity.

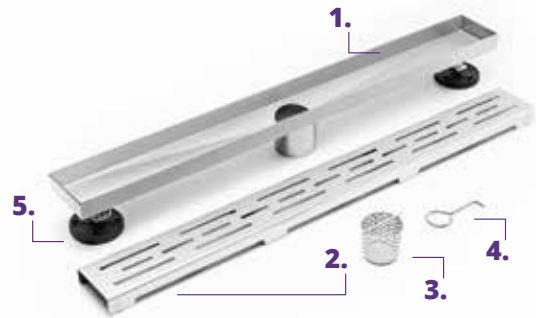
It enables the placement of ceramic or porcelain tiles, creating the slope or declivity of the floor towards a straight line, avoiding diagonal ceramic cuts.

Grate: Laser cut line patterns.



Components

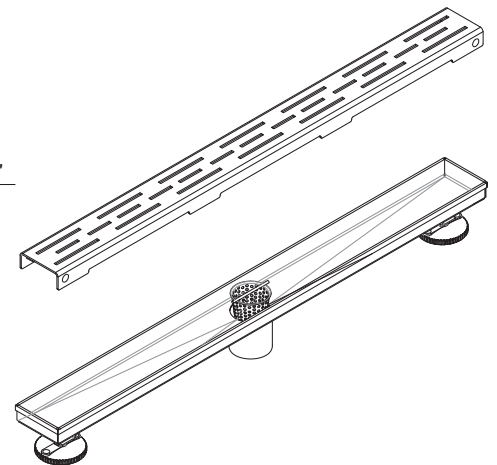
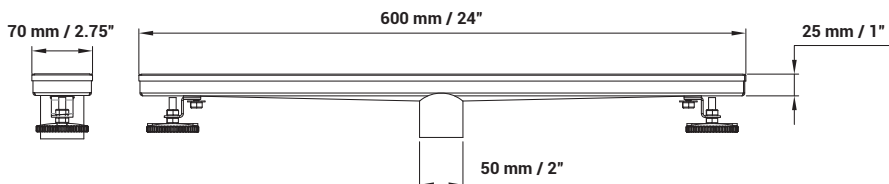
1. AISI 304 stainless steel drain/strainer.
2. AISI 304 stainless steel grate.
3. Metallic hair strainer.
4. Hook for grate extraction.
5. Height-adjustable feet with metallic holders and ABS plastic foot.



Profile

MODEL: INCA

SIZE: 600 x 70 x 25.4 mm / 24" x 2.75" x 1"



Uses and applications

It can be installed at the center of the shower, and it is suitable for all types of coatings. Designed for rooms that need water outlet, such as baths, showers, laundry rooms and balconies.

Advantages

- It enables to adjust the outlet length and position it in the place where it will be installed.
- Flow: up to 30 L/min.
- Lower vertical drainage: Ø2" / 50 mm.
- Drain flow of 30 liters per minute.
- Easy to install, it is placed alongside the leveling layer.
- Assembly with no need to drill or screw.
- Enduring, it does not rust.
- Suitable for wheelchairs.



304 stainless steel grate



Easy to install



Easy to clean



Durability and resistance



Anti-insects



5-year warranty

Installation method

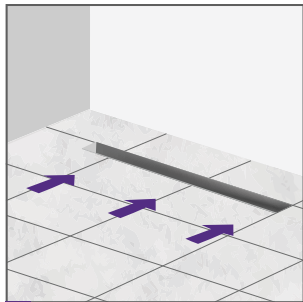
ELEMENTS NEEDED:

- Spatula.
- Sealant/impermeable silicone.
- Grout.
- Leveling ruler.
- Microfiber cloth.

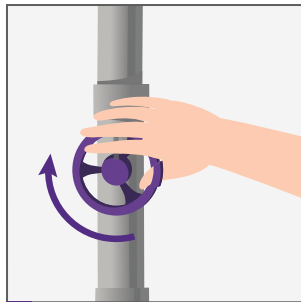
CONSIDERATIONS PRIOR TO THE INSTALLATION:

- To make use of the maximum flow possible, the pipeline diameter must be equal to or greater than Ø2" / 50 mm.
- When installing the ceramic tiles, bear in mind that there should be a slope from all the directions towards the drain (at least 2% per linear meter). Place them 1 mm above grate level to make sure no water residues remain in the area where the drain is installed.
- Wipe off dust, any dirt left by construction works or dampness from the surfaces.
- Seal the joint between the drain and the floor with impermeable silicone.
- Avoid the circulation of fluids (bleaches, acids and high-concentration salts) that jeopardize the integrity of the material with which the drains are made.

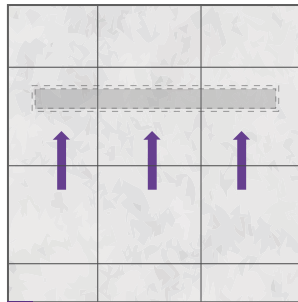
INSTALLATION:



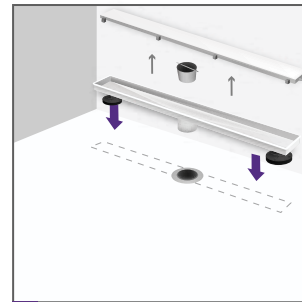
1. Determine the place where the linear drain/strainer will be installed. The position in the shower box can be at the back, front or center.



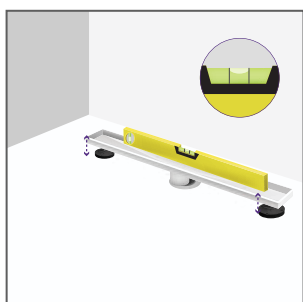
2. Close the outlet opening of the drain circuit before its mounting, to avoid the dirt produced during construction works from entering the duct.



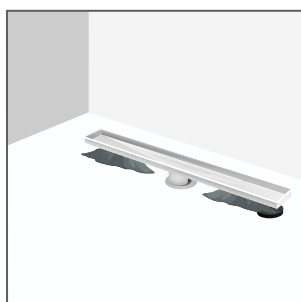
3. Place the drainage and mark the outline of the drain on the surface where you will perform the installation. The depth of the drainage with self-adjusting foot is from 2-5/8" to 3-3/8" (67 to 85 mm).



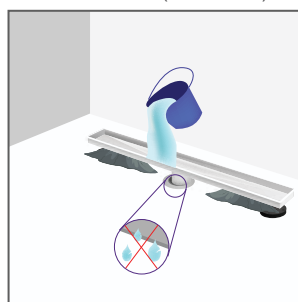
4. Connect the outlet tube of the drain base to the shower drain tube, sealing with impermeable silicone.



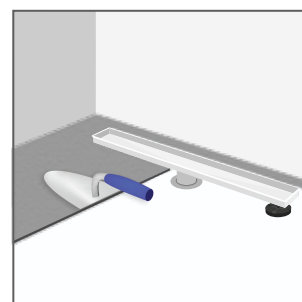
5. Place the drain leveled in all directions by regulating the metallic feet and using the leveling ruler to guide you.



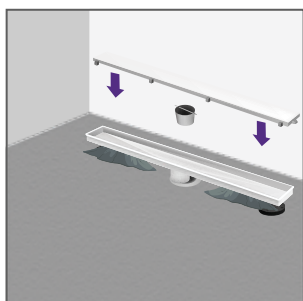
6. Pour the mortar mix into the bottom area of the drain base to provide support and guarantee the leveling.



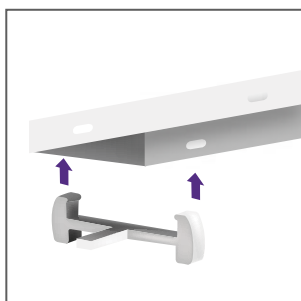
7. Perform a tightness test by pouring water into the drainage and check that the drain flows.



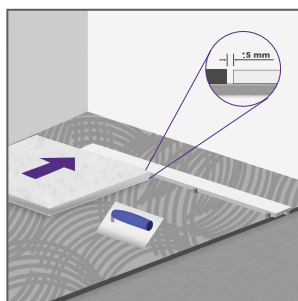
8. Spread the concrete mix up to the bottom edge of the drain base, generating a slope of at least 2% per linear meter, towards the place where it will be installed. If you wish, install a waterproofing membrane following the manufacturer's instructions.



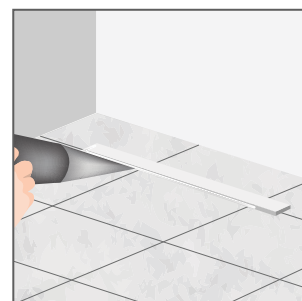
9. Place the hair strainer and the drain grate. For the 2-in-1 model, you may choose between the preselected smooth grate or invert it and place the ceramic tile in it.



10. Remove the plastic fasteners using the hook and place them on the opposite side. Make sure they remain attached to the grate. For the ceramic tile version: apply a mortar layer inside the grate frame so that the ceramic tile is leveled with it.



11. Place the ceramic tiles leaving +/- 1/4" (5 mm) of joint space with the edge of the drainage. To ensure the correct drain flow, the ceramic tiles must be placed 1 mm higher than the upper part of the drain. The installation can be performed with ceramic tiles of up to 5/8" high (16 mm). The edges of the porcelain tiles must be beveled. The sealing between the floor and the coating must be elastic and impermeable.



12. Apply silicone sealant to the drain edge, covering the joint properly, to guarantee proper fixation and waterproofing.

Cleaning and maintenance

To remove the dirt from the drain/strainer, use the hook to remove the grate, extract the basket strainer and clean with a sponge and home-use soap. Rinse with water.

Rub the grate with a cleaning concentrate for stainless steel surfaces making circular movements and rinse.

To buff it, dry with a microfiber cloth.

Do not use abrasive cleaners, cleaning powder and/or metallic sponges that could damage the surface.